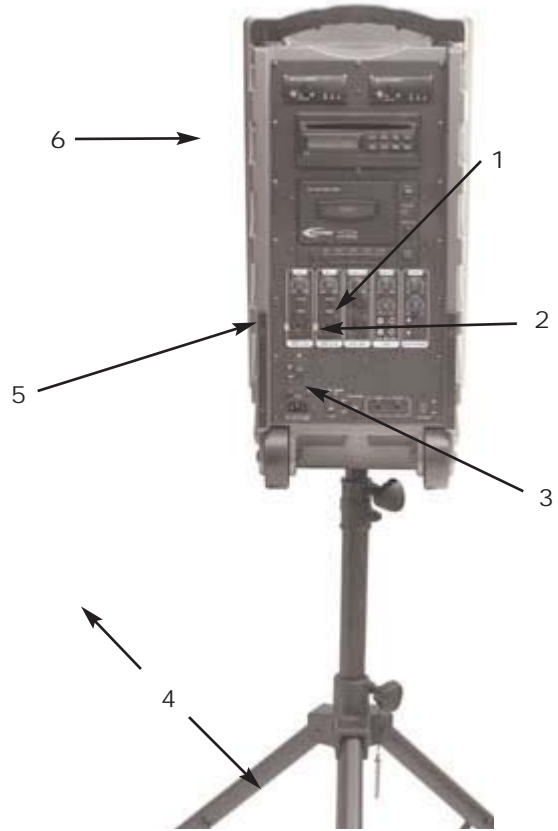




Portable PA Tripod

Model TP-50



1. Threaded, triangle shaped, tension-adjustable knob for quick and easy height adjustments
2. Beefy 1-3/8" aluminum tubing withstands repeated use
3. Supplemental cotter-pin gives additional reinforcement
4. Stability assured with wide stance 40" triangle (measured from tripod leg tip to tripod leg tip)
5. Pre-drilled center post for quick and easy height adjustment
6. Maximum height adjustment 74" for optimum projection

The portable TP-50 Tripod supports the PA916 PowerPro series PAs. Simple to set up and light enough to easily carry, it's made with mar-resistant powder-coated aluminum tubing for durability and performance.

"Project Intercept"

Please contact us immediately if you experience any difficulties with your tripod. Our "Project Intercept" customer service program will quickly repair or replace items under warranty. Simply contact us via phone or email rilane@califone.com.

Visit our website at www.califone.com to learn more about the complete line of wired and wireless *Califone*® headphones and other audio products including: Public address systems, wireless microphone systems, group listening centers, multimedia players and computer peripheral products.

We are proud of helping teachers enhance student understanding and achievements since 1947, with your satisfaction as our first priority.

This tripod carries a one-year warranty and service support available through authorized dealers nationwide.

Distributed by:

Specifications	
Weight Capacity	Safety weight of 100 pounds
Tubing	1-3/8" aluminum, with protective plastic end tips to prevent marking
Knob	Triangle shaped, high-impact ABS plastic for durability and safety
Weight	6 pounds, shipping weight 7 lbs.
Dimensions; Folded	44"L x 5"W x 5"H
Unfolded	Minimum height 43" Maximum height 74"
Footprint	40" triangle (measured from tripod leg tip to tripod leg tip)
Optional Carry Bag (C-TP50)	Double-handled Cordura Nylon bag with top flap zipper access, roomy enough to carry two tripods
Warranty	School, business, church and government uses for 1 year from purchase date

Califone® International Inc. 800-722-0500
www.califone.com